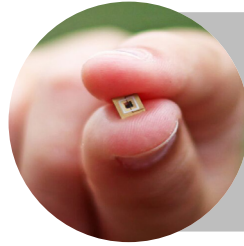


First UV-C LED Point-of-Entry Residential System



- State of the art UV-C LEDs
- > 99.99% pathogen reduction
- No chemicals; mercury-free



- UV Intensity monitoring as standard
- Instant on/off for intermittent flows
- No hot water shot after no flow conditions



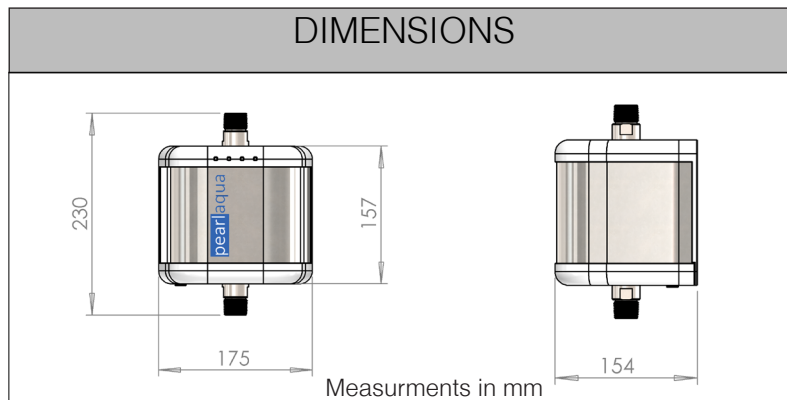
- Low cost of ownership
- Reduced energy consumption
- Dynamic Power Control



- 5 year lamp replacement interval
- Reduced mineral fouling
- No handling of fragile lamps and sleeves

| SPECIFICATIONS                                 |    |   |           |
|--|----|---|-----------|
| Product Name                                   |    | PearlAqua Deca                          |           |
| Model Name                                     |    | 24C4                                    |           |
| UV Dose<br>(mJ/cm <sup>2</sup> )<br>@ 98% UV-T | 16 | Max Flow [lpm (gpm)]                    | 45 (12.0) |
|  | 30 |   | 25 (6.5)  |
|  | 40 |   | 19 (5.0)  |
| Headloss at Max Flow [bar (psi)]               |    | 0.3 (4.5)                               |           |
| Inlet/Outlet Water Connection                  |    | 3/4" MNPT                               |           |
| Weight [kg (lbs)]                              |    | 4.2 (9.3)                               |           |
| Max Operating Pressure [bar (psi)]             |    | 8.3 (120)                               |           |
| Environmental Protection                       |    | IP65                                    |           |
| Lamp Replacement Interval                      |    | 60 months @ 2.5 hours/day [5,000 hours] |           |
| Max Ambient Temp [°C (°F)]                     |    | 45 (113)                                |           |
| Water Temperature [°C (°F)]                    |    | 0-30 (32-86)                            |           |
| Input Voltage [V DC]                           |    | 24 [110/240 AC power supply included]   |           |
| Input Power [flow variable] [W]                |    | 180 (max)                               |           |

Specifications provided as a guide. Specifications subject to change  
Unit designed to be used on domestic cold water supply only



Full in-house optical, electrical, and mechanical design capabilities.  
ISO 9001:2015 certified manufacturing facility located in Kentucky, USA.



www.aquisense.com



+1.859.869.4700



4400 Olympic Blvd. Erlanger KY 41018 USA